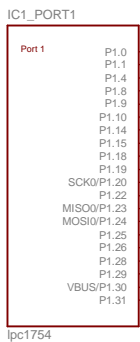
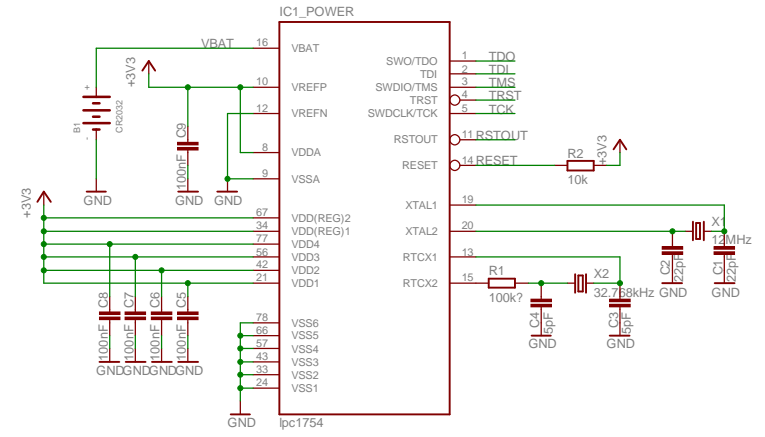
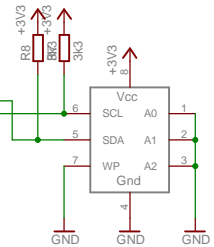
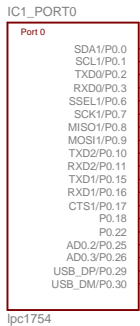
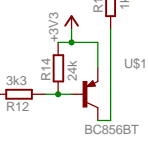
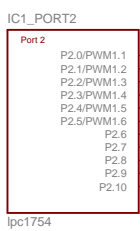
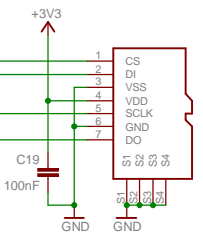


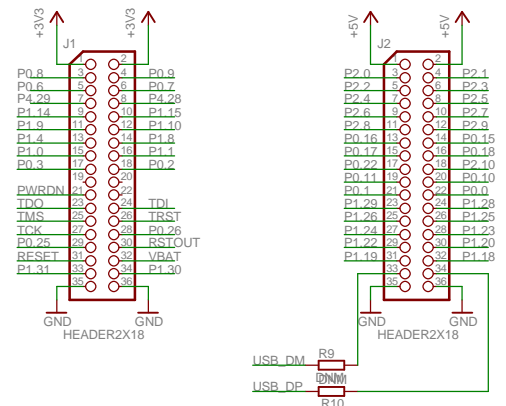
I2C EEPROM



Micro-SD



Expansion Connectors



TITLE: test-target	
Document Number:	REV:
Date: 20-11-2011 11:10:08	Sheet: 1/1